

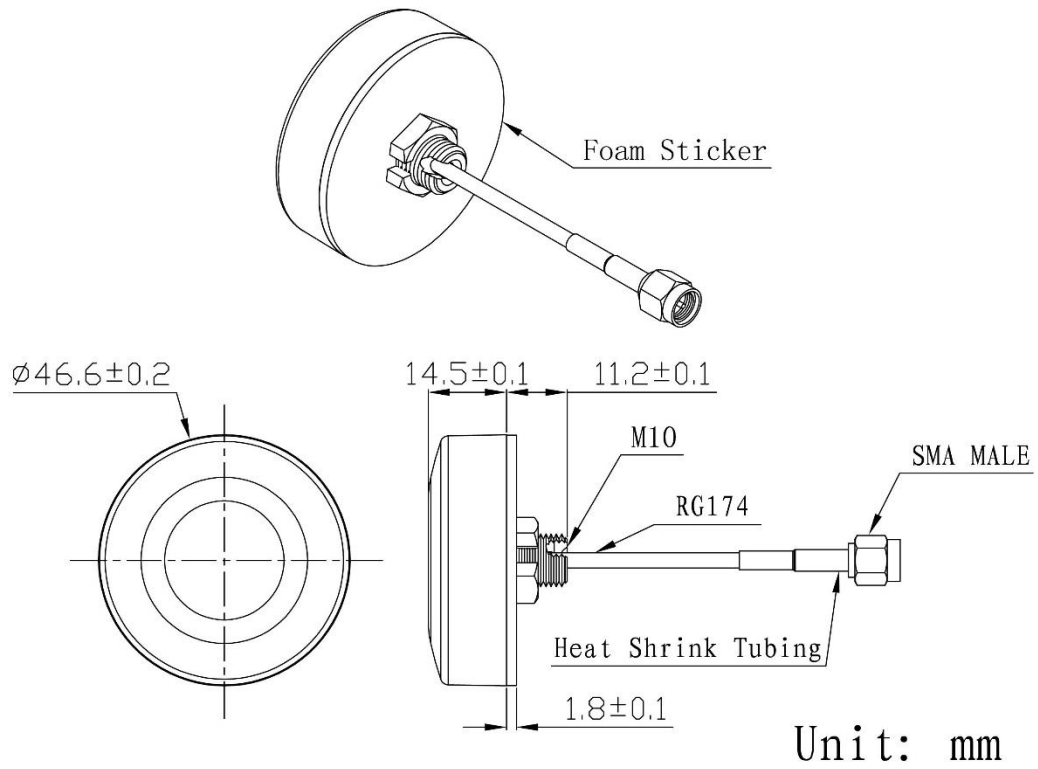
# GSM Antenna

GM3-0065-S01SP-020-300

MIC Part No# P68-F692 Des:Dome Antenna L=3M



## DIMENSIONS



## SPECIFICATIONS

Item	Specifications	
GSM Antenna	Frequency Range	824~960MHz/1710~2170MHz
	Polarization	Linear
	Gain	2dBic (Zenith)
	V.S.W.R	< 1.5
	Impedance	50 Ω
Mechanical	Cable	RG174
	Connector	SMA/MCX or others
	Radome Material	ABS
	Mounting Method	Screw
Environmental	Operating Temperature	-40℃~+85℃
	Relative Humidity	Up to 95%
	Ingress Protection	IP67 (exclude cable outlet)
	Vibration	10 to 55Hz with 1.5mm amplitude 2hours
	Environmentally Friendly	ROHS Compliant

## Radication Pattern

